

# Custom Specifications

## Legato 4 TV

D00015

Hi Fi Retailer Name .....

Customer Name .....

Address.....

.....

Phone .....

Cell .....

Fax .....

Email .....

**Rack Colour** Tick

Silver Orbitor .....

Outlook Black .....

Other Specify\* .....

**Glass Colour** Tick

Panasap Blue\* .....

Grey .....

Frosted .....

Other Specify\* .....

**Glass Thickness** Tick

Top 8mm Standard and Shelf 6mm Standard .....

Other Specify\* .....

(Recomend increase to 8mm if equipment is heavy)

**Foot Options** Tick

Spikes (add 15-40mm) .....

Glides (add 0-30mm) .....

Black Castors\* (add 55mm) .....

Chrome Castors\* (add 75mm) .....

Cones\* (Add 40mm) .....

**Sand Filled\*** Yes ..... No .....

**Cable Channel** Yes ..... No .....

Fitted to rear of rack. \* (658mm)

\* Will incur extra cost

**Please Select**

**Quote Request**

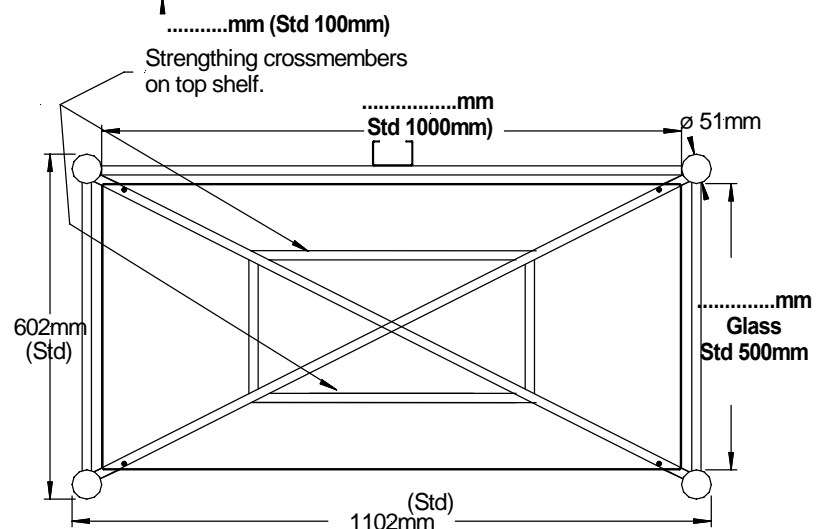
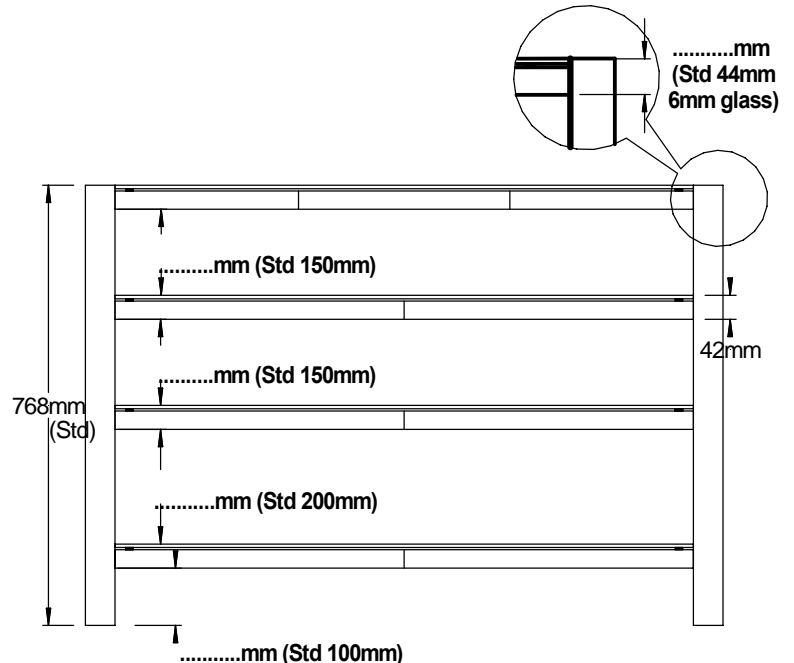
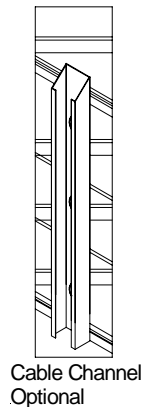
**Order Placed**

Order Number .....

**Design and dimensions approved**

.....

Customer Signature



A Division of CMP Ironcraft



soundcreations  
hi-fi furniture

25 Ethel Street, Morningside  
P.O. Box 56 453, Dominion Rd  
Auckland, New Zealand  
Tel: 64 9 849 6761  
Fax: 64 9 849 6751  
info@soundcreations.co.nz  
www.soundcreations.co.nz