

# Custom Specifications Manhattan

## M1000TV2+1

D00010

Please Select

Quote Request

Order Placed

Hi Fi Retailer Name .....

Customer Name .....

Address.....

.....

Phone .....

Cell .....

Fax .....

Email .....

Order Number .....

Design and dimensions approved

.....  
Customer Signature

**Rack Colour** Tick

Silver Orbitor .....

Other Specify\* .....

**Glass Colour** Tick

Grey .....

Frosted .....

Other Specify\* .....

**Glass Thickness** Tick

Top 8mm Standard and Shelf 6mm Standard .....

Other Specify\* .....

(Recommend increase thickness if equipment is heavy)

**Foot Options** Tick

Spikes (adds 15-40mm to height) .....

Glides (adds 0-30mm " ") .....

Black Castors\* (adds 55mm " ") .....

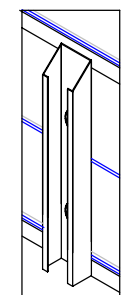
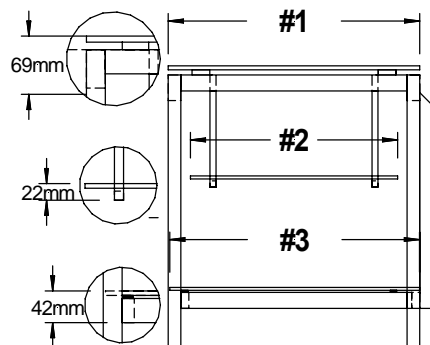
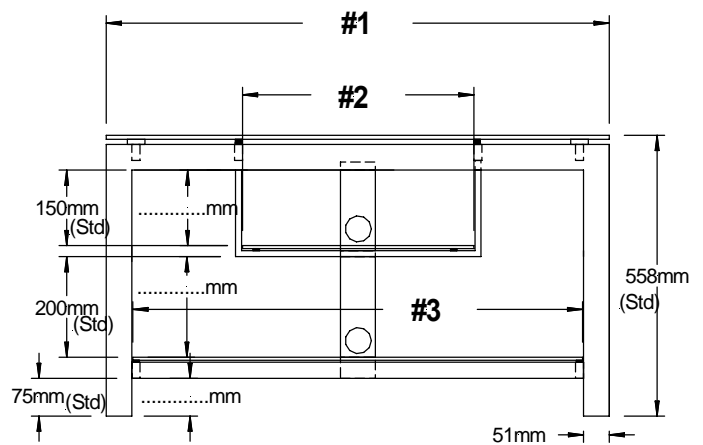
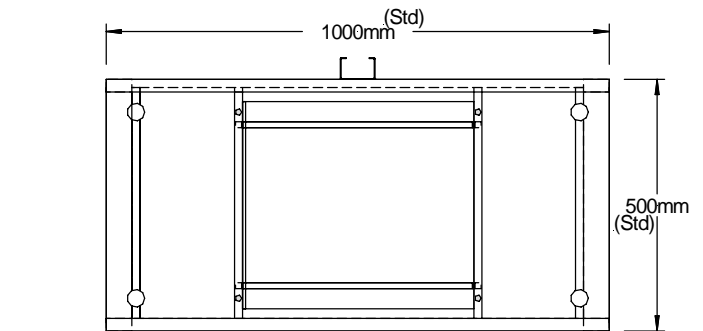
Chrome Castors\* (adds 75mm " ") .....

**Sand Filled\*** Yes ..... No .....

**Cable Channel**

Fitted to rear of rack. \* Yes ..... No .....  
(440mm)

\* Will incur extra cost



Cable Channel  
Optional

### Glass Shelves

	Standard W x D	Custom Size W x D
#1.	1000x500	.....
#2.	460x412	.....
#3.	894x497	.....

A Division of CMP Ironcraft



soundcreations  
hi-fi furniture

25 Ethel Street, Morningside  
P.O. Box 56 453, Dominion Rd  
Auckland, New Zealand  
**Tel:** 64 9 849 6761  
**Fax:** 64 9 849 6751  
info@soundcreations.co.nz  
www.soundcreations.co.nz