

Custom Specifications
Manhattan M1000TV3+1
 D00018

Please Select

Quote Request

Order Placed

Hi Fi Retailer Name

Customer Name

Address.....

.....

Phone

Cell

Fax

Email

Order Number

Design and dimensions approved

.....
 Customer Signature

Rack Colour Tick

Silver Orbitor

Other Specify*

Glass Colour Tick

Grey

Frosted

Other Specify*

Glass Thickness Tick

Top 8mm Standard and
 Shelf 6mm Standard

Other Specify*

(Recommend increase thickness if equipment is heavy)

Foot Options Tick

Spikes (adds 15-40mm to height)

Glides (adds 0-30mm " ")

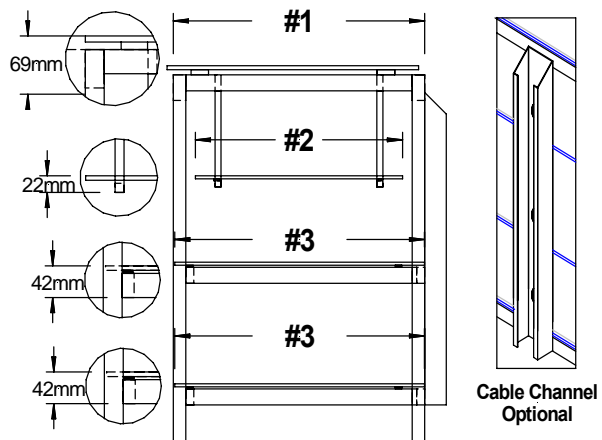
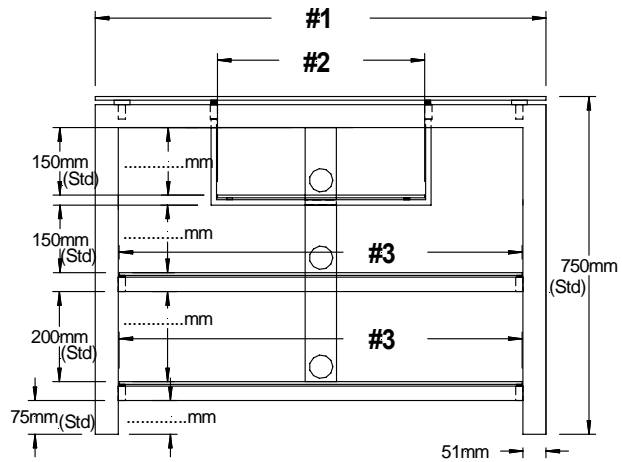
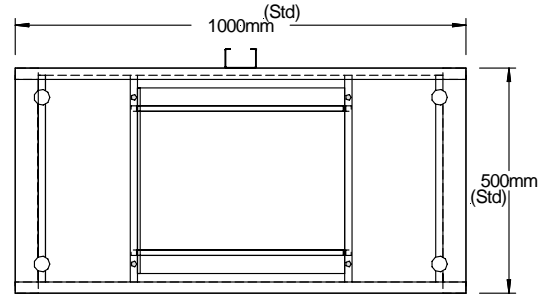
Black Castors* (adds 55mm " ")

Chrome Castors* (adds 75mm " ")

Sand Filled* Yes No

Cable Channel
 Fitted to rear of rack. * Yes No
 (632mm)

* Will incur extra cost



A Division of CMP Ironcraft



Glass Shelves

	Standard W x D	Custom Size W x D
#1.	1000x500
#2.	460x412
#3.	894x497

25 Ethel Street, Morningside
 P.O. Box 56 453, Dominion Rd
 Auckland, New Zealand
Tel: 64 9 849 6761
Fax: 64 9 849 6751
 info@soundcreations.co.nz
 www.soundcreations.co.nz