

# Custom Specifications Sonata 3 TV

D00005

Hi Fi Retailer Name .....

Customer Name .....

Address.....

Phone .....

Cell .....

Fax .....

Email .....

Please Select

Quote Request

Order Placed

Order Number .....

Design and dimensions approved

.....  
Customer Signature

**Rack Colour** Tick

Silver Orbitor .....

Outlook Black .....

Other Specify\* .....

**Glass Colour** Tick

Panasap Blue\* .....

Grey .....

Frosted .....

Other Specify\* .....

**Glass Thickness** Tick

Top 8mm Standard and Shelf 6mm Standard .....

Other Specify\* .....

(Recommend increase to 8mm if equipment is heavy)

**Foot Options** Tick

Spikes (add 15-40mm) .....

Glides (add 0-30mm) .....

Black Castors\* (add 55mm) .....

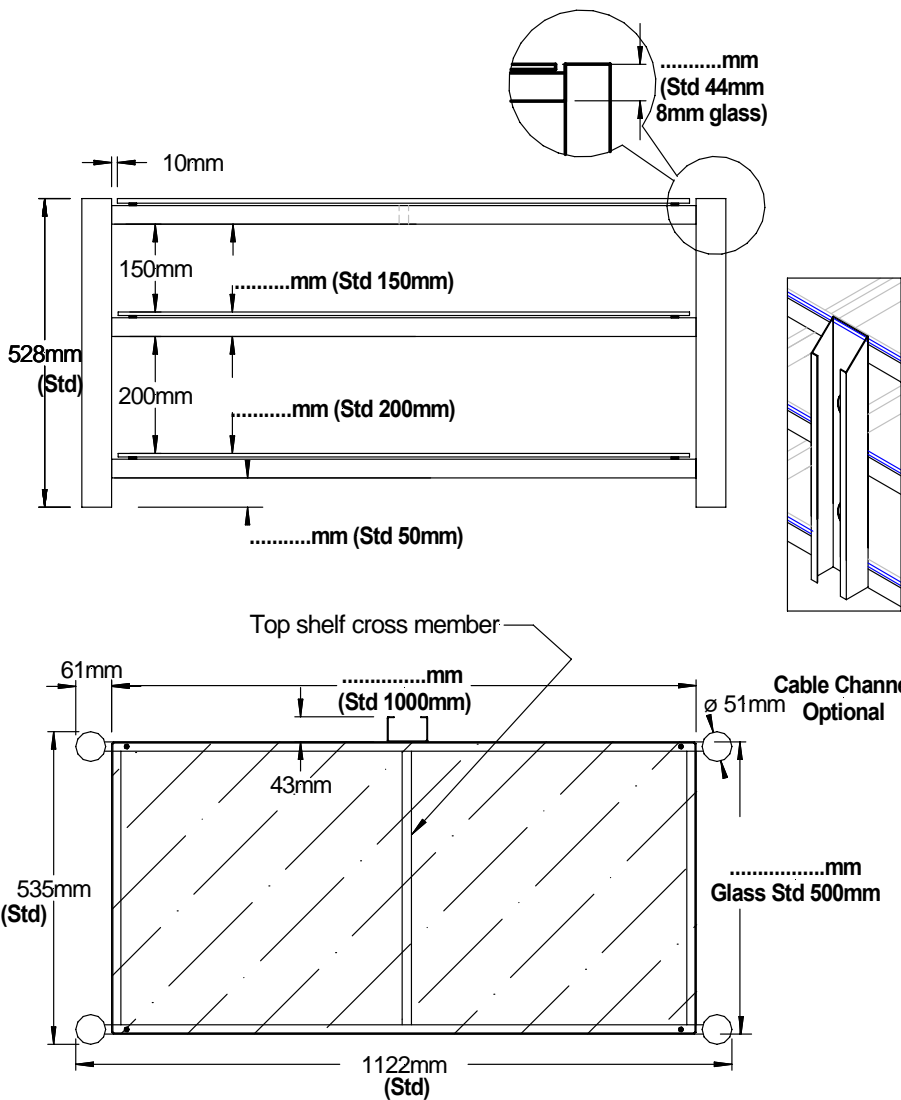
Chrome Castors\* (add 75mm) .....

Cones\* (Add 40mm) .....

**Sand Filled\*** Yes ..... No .....

**Cable Channel**  
Fitted to rear of rack. \* Yes ..... No .....  
(466mm)

\* Will incur extra cost



A Division of CMP Ironcraft



25 Ethel Street, Morningside  
P.O. Box 56 453, Dominion Rd  
Auckland, New Zealand  
Tel: 64 9 849 6761  
Fax: 64 9 849 6751  
info@soundcreations.co.nz  
www.soundcreations.co.nz