

Custom Specifications Sonata 4 TV

D00014

Hi Fi Retailer Name

Customer Name

Address.....

Phone

Cell

Fax

Email

Please Select

Quote Request

Order Placed

Order Number

Design and dimensions approved

.....
Customer Signature

Rack Colour Tick

Silver Orbitor

Outlook Black

Other Specify*

Glass Colour Tick

Panasap Blue*

Grey

Frosted

Other Specify*

Glass Thickness Tick

Top 8mm Standard and Shelf 6mm Standard

Other Specify*

(Recomend increase to 8mm if equipment is heavy)

Foot Options Tick

Spikes (add 15-40mm)

Glides (add 0-30mm)

Black Castors* (add 55mm)

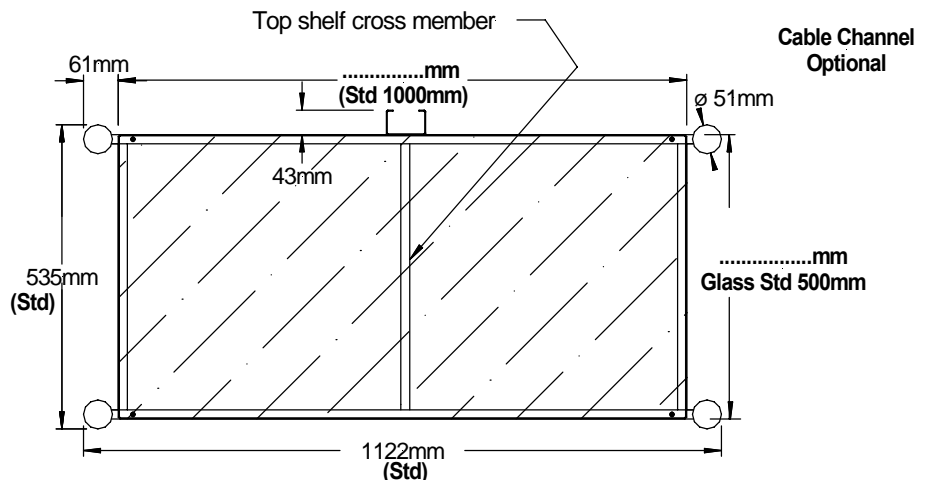
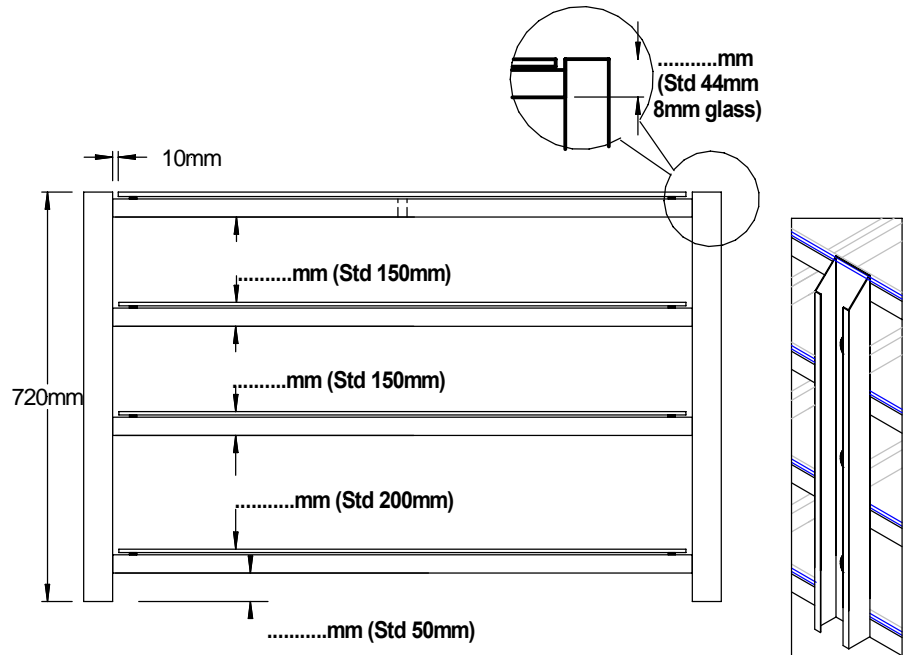
Chrome Castors* (add 75mm)

Cones* (Add 40mm)

Cable Channel

Fitted to rear of rack.* Yes No
(658mm)

* Will incur extra cost



A Division of CMP Ironcraft



25 Ethel Street, Morningside
P.O. Box 56 453, Dominion Rd
Auckland, New Zealand
Tel: 64 9 849 6761
Fax: 64 9 849 6751
info@soundcreations.co.nz
www.soundcreations.co.nz