

# Custom Specifications Symphony TV3

D00032

Hi Fi Retailer Name .....

Customer Name .....

Address.....

Phone .....

Cell .....

Fax .....

Email .....

**Rack Colour** Tick

Outlook Black .....

Other Specify\* .....

**Timber** Tick

Rimu (Std) .....

Other Specify\* .....

**Glass Colour** Tick

Grey .....

Other Specify\* .....

**Glass Thickness** Tick

Top 8mm Standard and  
Shelf 6mm Standard .....

Other Specify\* .....

(Recommend increase thickness if equipment is heavy)

**Foot Options** Tick

Spikes (adds 15-40mm to height) .....

Glides (adds 0-30mm " " ) .....

Black Castors\* (adds 55mm " " ) .....

Chrome Castors\* (adds 75mm " " ) .....

**Cable Channel**

Fitted to rear of rack \* Yes.... No.....  
(430 mm)

\* Will incur extra cost

A Division of CMP Ironcraft

**Please Select**

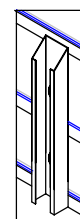
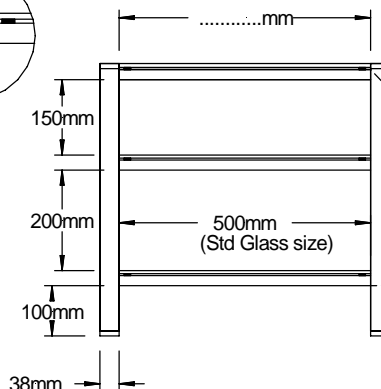
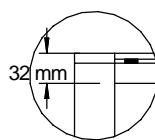
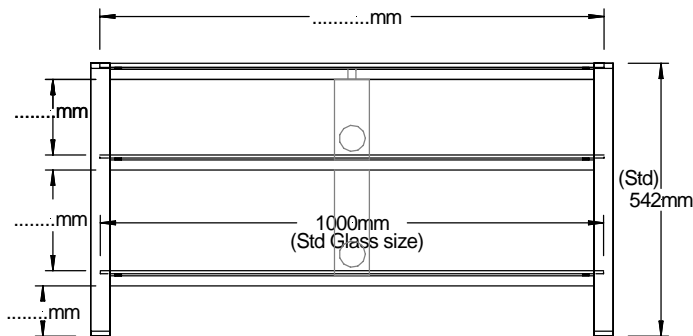
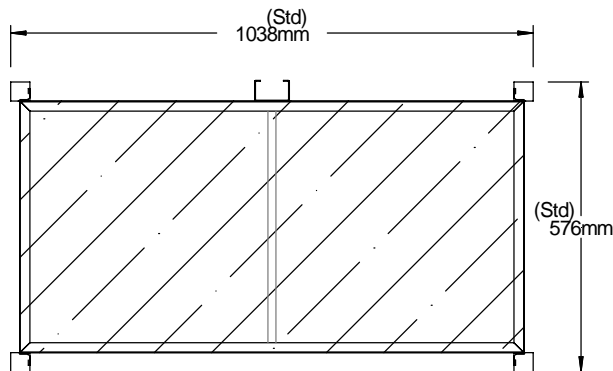
**Quote Request**

**Order Placed**

Order Number .....

**Design and dimensions approved**

.....  
Customer Signature



**Cable Channel  
Optional**



25 Ethel Street, Morningside  
P.O. Box 56 453, Dominion Rd  
Auckland, New Zealand  
**Tel:** 64 9 849 6761  
**Fax:** 64 9 849 6751  
info@soundcreations.co.nz  
www.soundcreations.co.nz